



**LINDOMETAL**





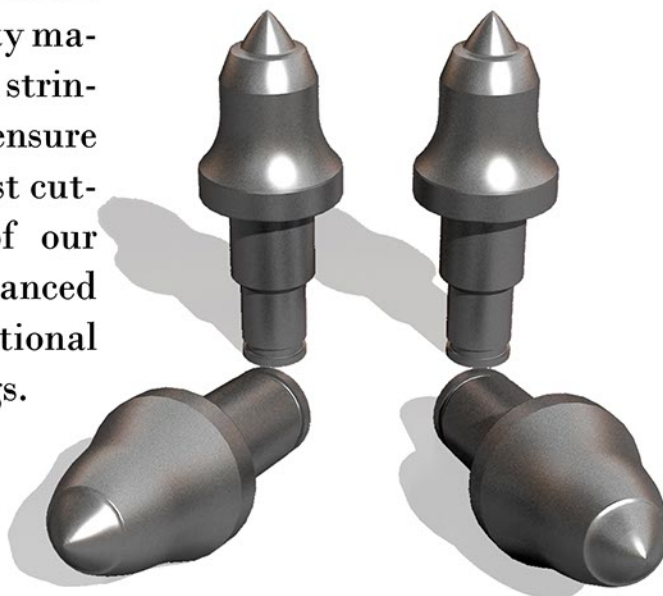
**LINDOMETAL**

## **Introduction**

Lindometal, headquartered in North Carolina, provides high-quality coal shearer, continuous miner, and roadheader bits designed to withstand the rigors of demanding coal production. Our bits are designed to exceed the demands of variable deposit compositions and show exceptional lifespans even when challenged with the hardest mineral formations.

Our research and design team have produced tungsten carbide tips which can withstand the hardest seam conditions and demonstrate exceptional wear-resistance. Our strengthened carbide bits dramatically improve per shift production capacity and allow our customers to reduce the cost of coal extraction.

Developed through a rigorous research and design process, our high-quality materials are then passed through a stringent quality control protocol to ensure that each product provides the best cutting performance. The quality of our bits directly translates into enhanced mining efficiency, limited operational downtime, and bottom line savings.





**LINDOMETAL**

## Why Choose Lindometal?

Lindometal takes pride in providing quality mining bits designed to withstand rigorous mining demands while limiting operational downtime and maximizing production efficiency. Our products are designed to last. The harder the rock encountered, the better performance you can expect from Lindometal.

### Quality

Made using specialized alloys, our bits are designed to last longer under strenuous digging conditions.

### Durability

Our bits, with strengthened carbide tips, can withstand hard mineral formations and have exceptional lifespans.

### Endurance

Our bits show exceptional wear-resistance and longevity ensuring lower cost-per-ton production efficiency.

### Performance

Made from strengthened alloys, our bits are designed to enhance machine operational time.





**LINDOMETAL**



Carbide Tip



Body



Retainer



Sleeve



Sleeve Retainer



Block





**LINDOMETAL**



## Users Guide

-We encourage all end-users to adhere to these common guidelines:

-Always wear approved personal eye and head protection gear when replacing bits on mining devices.

-Never strike bits with metal objects when mounting as this can cause the tips to shatter or wear prematurely.

-Do not replace bits on machines that are not first disengaged or powered down. Before resuming operation, check that bits are securely retained to the block.

-Stand clear and far behind protective shielding when machines are in operation as loosened debris can be dangerous.





## LINDOMETAL



### TIP

Made with specialized alloys, our carbide tips work efficiently in a range of mineral formation densities and have considerable lifespans compared to leading industry manufacturers of carbide tips.



### S-TIP

Our S-Series tips possess superior wear and frictional resistance as compared to the standard industry cutting picks in hard rock formations, which translates directly into improved performance and productivity.



### STANDARD BODY (STD)

Using a special welding method to secure the carbide tip to the body ensures extended operational duration and maintains the tip in the body under stressful wear.



### HALO CARBIDE BODY (HCB)

For added durability and wear-resistance we have hand-welded a proprietary alloy to the tip of this pick, which provides added stand-up ability for digging in areas of exceptional hardness. The alloy prevents rapid wear to the body and fortifies the tip against excessive abrasion.

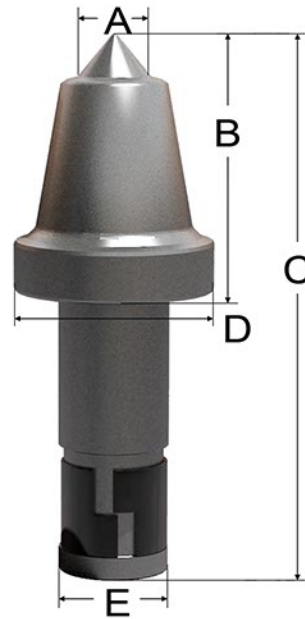
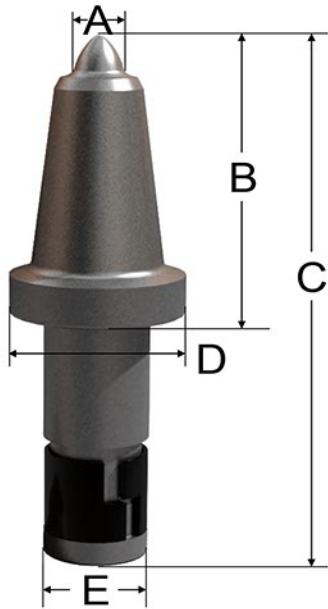




30mm

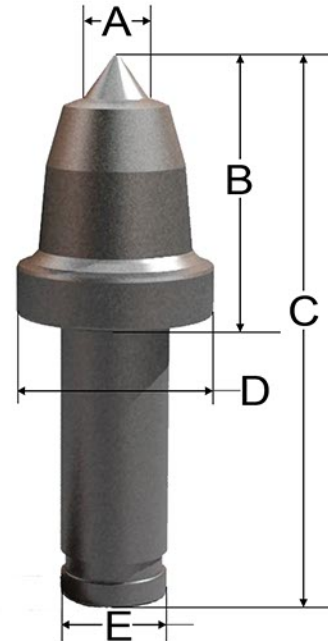
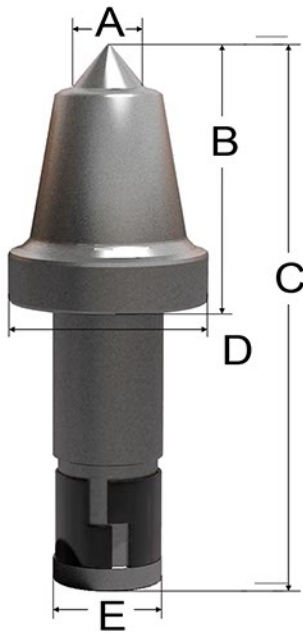


**LINDOMETAL**



A	B	C	D	E	Body	Product Code
16mm	80mm	152mm	50mm	30mm	STD	SD214
0.63"	3.15"	5.98"	1.97"	1.18"	HCB	SD216

A	B	C	D	E	Body	Product Code
19mm	70mm	142mm	51mm	30mm	STD	SD434
0.75"	2.76"	5.59"	2.01"	1.18"	HCB	SD436
22mm	70mm	142mm	51mm	30mm	STD	SD454
0.87"	2.76"	5.59"	2.01"	1.18"	HCB	SD456



A	B	C	D	E	Body	Product Code
22mm	85mm	162mm	51mm	30mm	STD	SD654
0.87"	3.35"	6.38"	2.01"	1.18"	HCB	SD656

A	B	C	D	E	Body	Product Code
19mm	64mm	138mm	54mm	30mm	STD	RD834
0.75"	2.52"	5.43"	2.13"	1.18"	HCB	RD836
22mm	64mm	138mm	54mm	30mm	STD	RD854
0.87"	2.52"	5.43"	2.13"	1.18"	HCB	RD856

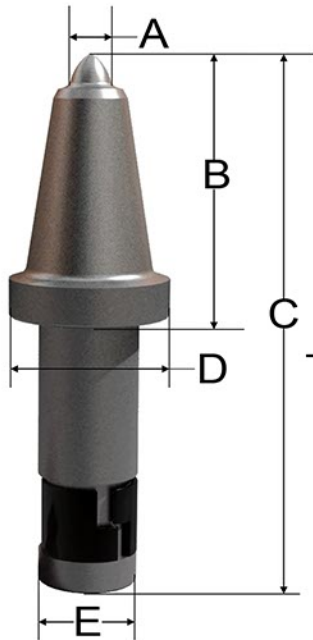
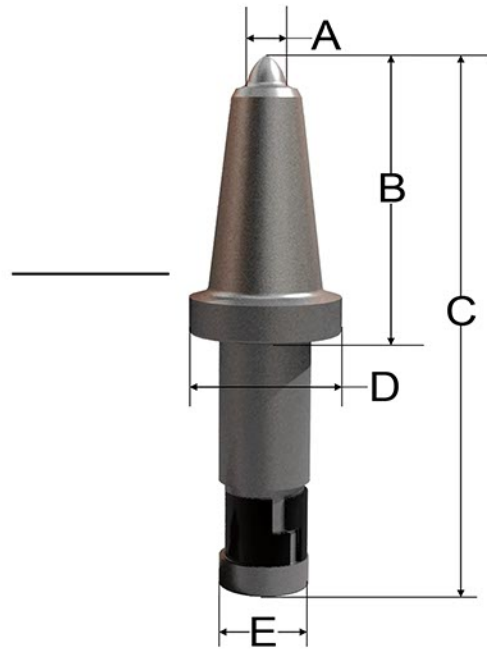
\*HCB = Halo Carbide Body





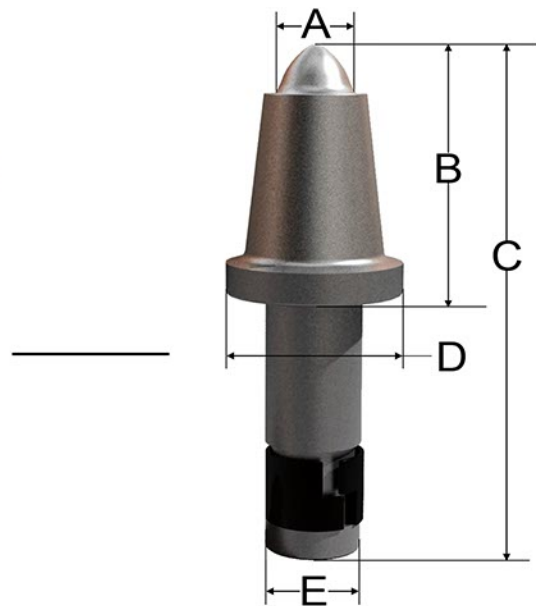
**LINDOMETAL**

A	B	C	D	E	Body	Product Code
16mm	100mm	195mm	55mm	35mm	STD	SN214
0.75"	3.84"	7.68"	2.17"	1.38"	HCB	SN216
19mm	100mm	195mm	55mm	35mm	STD	SN234
0.87"	3.84"	7.68"	2.17"	1.38"	HCB	SN236



A	B	C	D	E	Body	Product Code
16mm	89mm	183mm	56mm	35mm	STD	SN414
0.75"	3.50"	7.20"	2.20"	1.38"	HCB	SN416
19mm	89mm	183mm	56mm	35mm	STD	SN434
0.87"	3.50"	7.20"	2.20"	1.38"	HCB	SN436

A	B	C	D	E	Body	Product Code
16mm	86mm	180mm	62mm	35mm	STD	SN614
0.63"	3.39"	7.09"	2.44"	1.38"	HCB	SN616
19mm	86mm	180mm	62mm	35mm	STD	SN634
0.75"	3.39"	7.09"	2.44"	1.38"	HCB	SN636
22mm	86mm	180mm	62mm	35mm	STD	SN654
0.87"	3.39"	7.09"	2.44"	1.38"	HCB	SN656
25mm	86mm	180mm	62mm	35mm	STD	SN674
0.98"	3.39"	7.09"	2.44"	1.38"	HCB	SN676
32mm	86mm	180mm	62mm	35mm	STD	SN694
1.26"	3.39"	7.09"	2.44"	1.38"	HCB	SN696



\*HCB = Halo Carbide Body

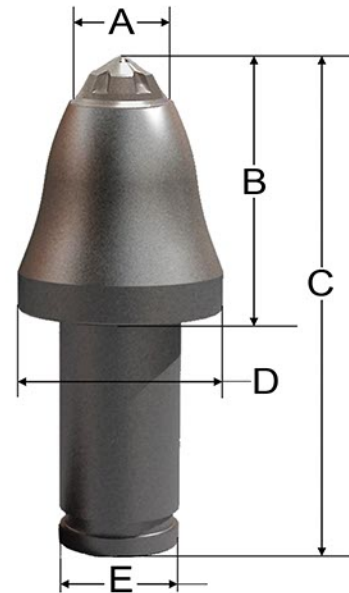
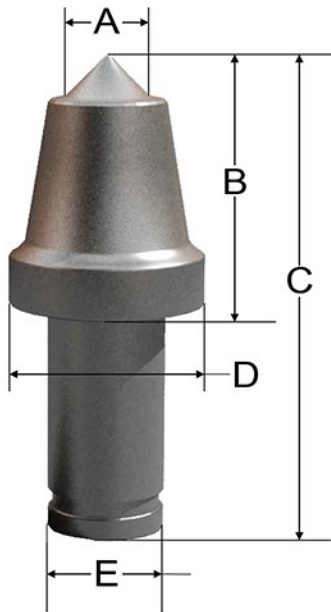




# 34mm & 38mm

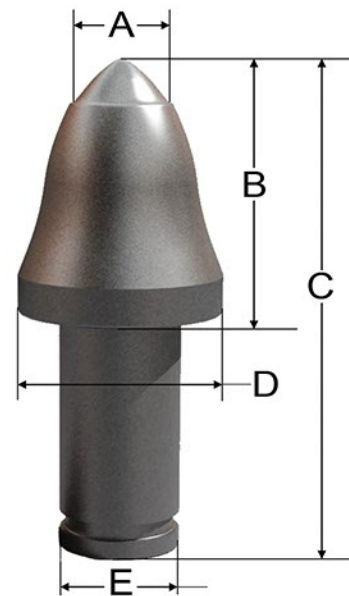
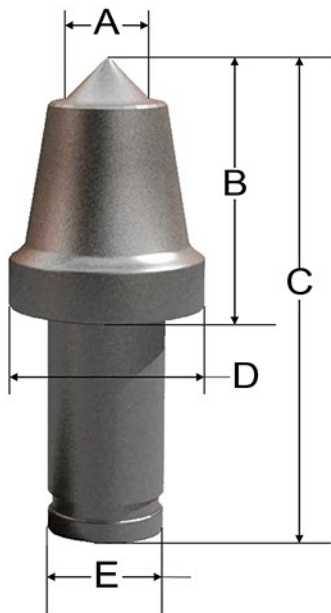


## LINDOMETAL



A	B	C	D	E	Body	Product Code
19mm	65mm	131mm	55mm	34mm	STD	RM234
0.75"	2.56"	5.16"	2.17"	1.34"	HCB	RM236

A	B	C	D	E	Body	Product Code
32mm	81mm	156mm	75mm	38mm	STD	RW294
1.26"	3.19"	6.14"	2.95"	1.50"	HCB	RW296



A	B	C	D	E	Body	Product Code
22mm	65mm	131mm	55mm	34mm	STD	RM254
0.87"	2.56"	5.16"	2.17"	1.34"	HCB	RM256

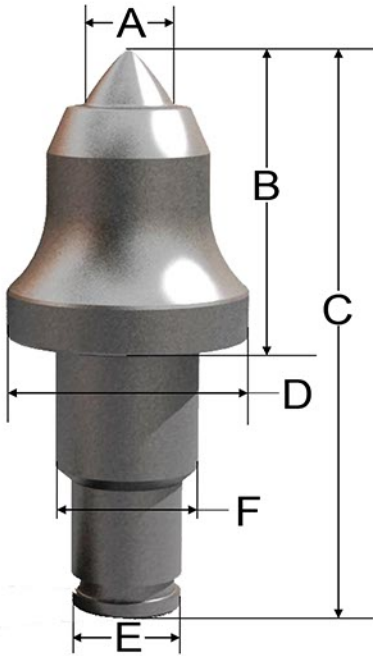
A	B	C	D	E	Body	Product Code
19mm	81mm	156mm	75mm	38mm	STD	RW234
0.75"	3.19"	6.14"	2.95"	1.50"	HCB	RW236
22mm	81mm	156mm	75mm	38mm	STD	RW254
0.87"	3.19"	6.14"	2.95"	1.50"	HCB	RW256
25mm	81mm	156mm	75mm	38mm	STD	RW274
0.98"	3.19"	6.14"	2.95"	1.50"	HCB	RW276

\*HCB = Halo Carbide Body

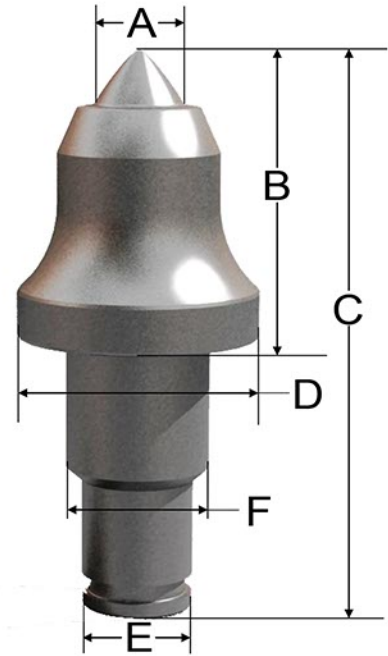




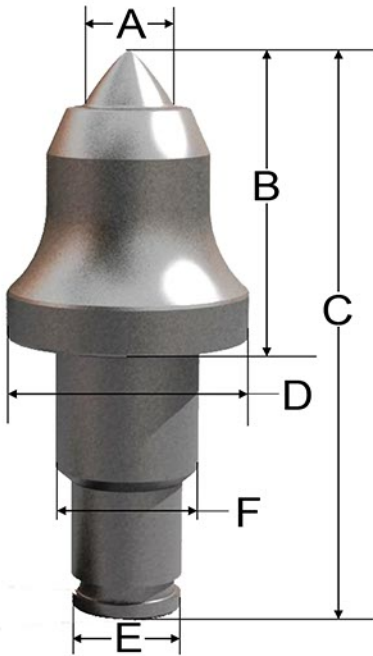
**LINDOMETAL**



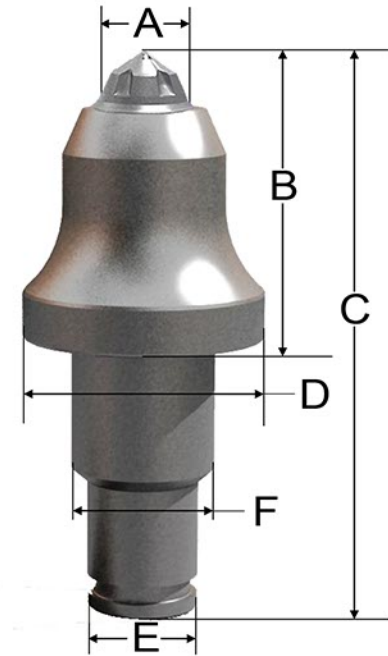
A	B	C	D	E	F	Body	Product Code
19mm	75mm	149mm	63mm	30mm	38mm	STD	RP234
0.75"	2.95"	5.87"	2.48"	1.18"	1.50"	HCB	RP236



A	B	C	D	E	F	Body	Product Code
22mm	75mm	149mm	63mm	30mm	38mm	STD	RP254
0.87"	2.95"	5.87"	2.48"	1.18"	1.50"	HCB	RP256



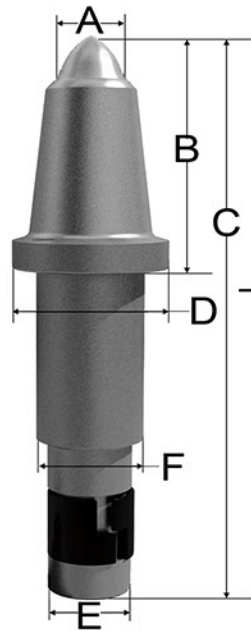
A	B	C	D	E	F	Body	Product Code
25mm	75mm	149mm	63mm	30mm	38mm	STD	RP274
0.98"	2.95"	5.87"	2.48"	1.18"	1.50"	HCB	RP276



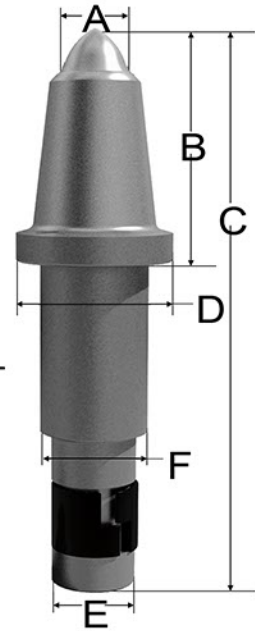
A	B	C	D	E	F	Body	Product Code
32mm	75mm	149mm	63mm	30mm	38mm	STD	RP294
1.26"	2.95"	5.87"	2.48"	1.18"	1.50"	HCB	RP296

\*HCB = Halo Carbide Body

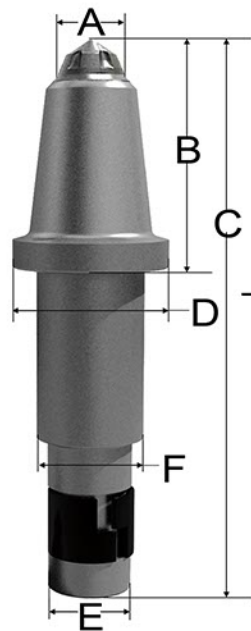




A	B	C	D	E	F	Body	Product Code
22mm	92mm	224mm	64mm	35mm	43mm	STD	SQ254
0.87"	3.62"	8.82"	2.52"	1.38"	1.69"	HCB	SQ256



A	B	C	D	E	F	Body	Product Code
25mm	92mm	224mm	64mm	35mm	43mm	STD	SQ274
0.98"	3.62"	8.82"	2.52"	1.38"	1.69"	HCB	SQ276



A	B	C	D	E	F	Body	Product Code
32mm	92mm	224mm	64mm	35mm	43mm	STD	SQ294
1.26"	3.62"	8.82"	2.52"	1.38"	1.69"	HCB	SQ296

\*HCB = Halo Carbide Body

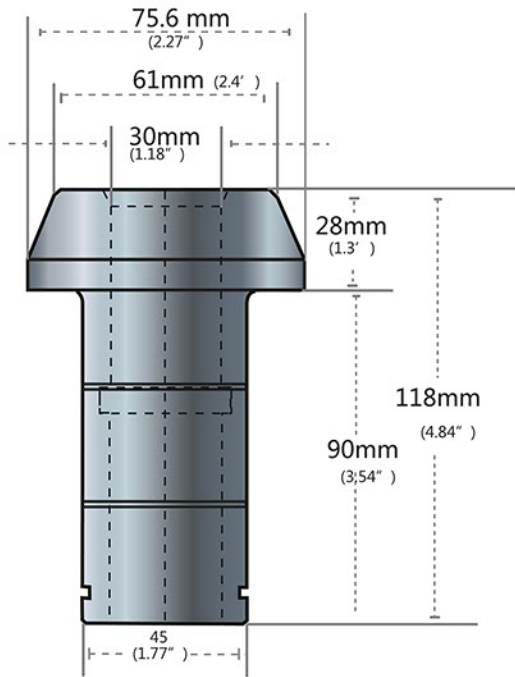




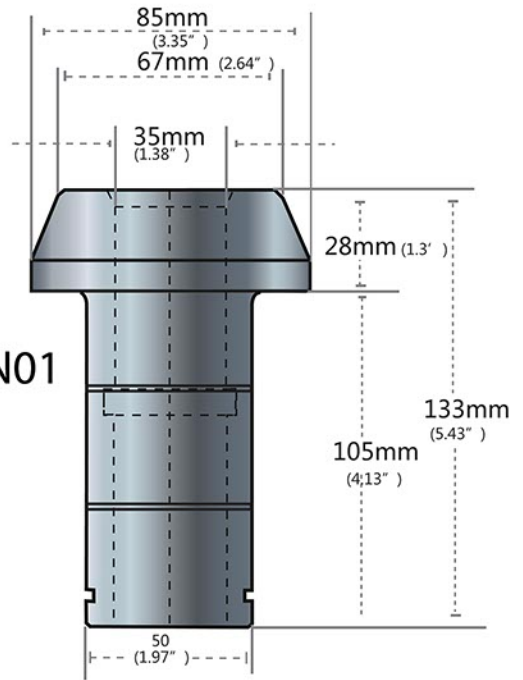
## LINDOMETAL



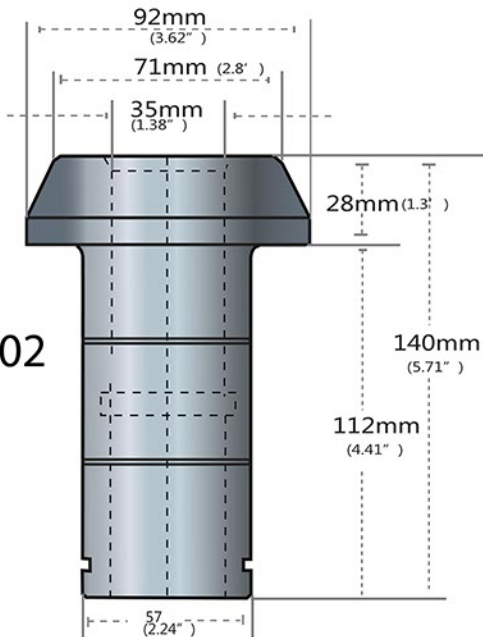
Retains the pick in the block and protects the pick from wear and debris.



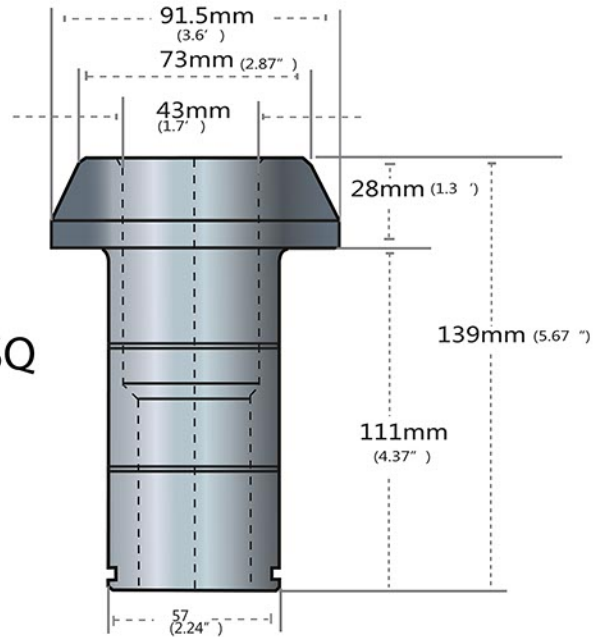
Sleeve-SD



Sleeve - SN01



Sleeve - SN02

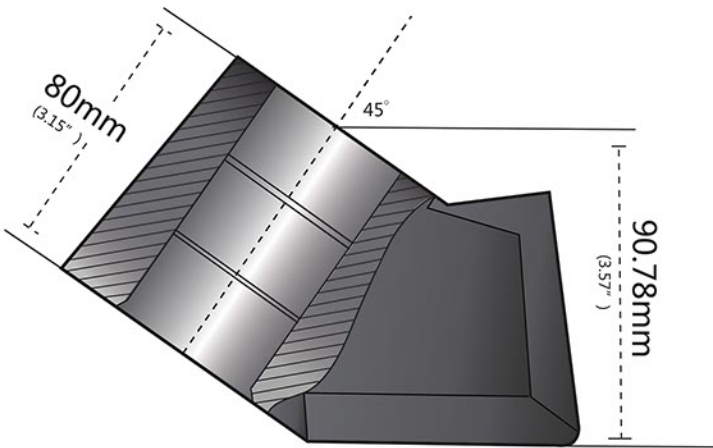


Sleeve - SQ

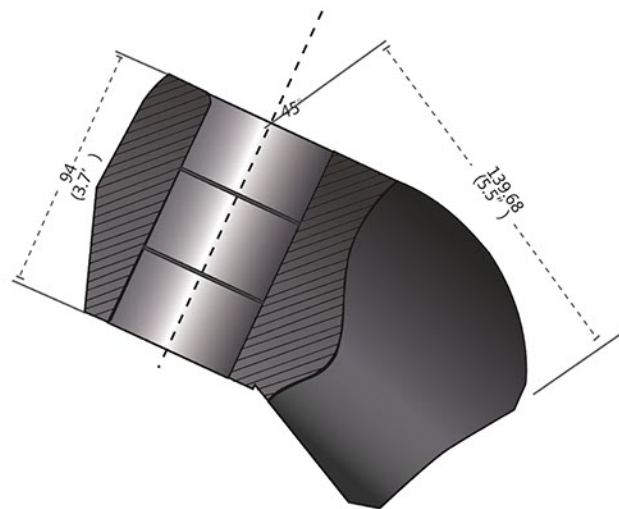




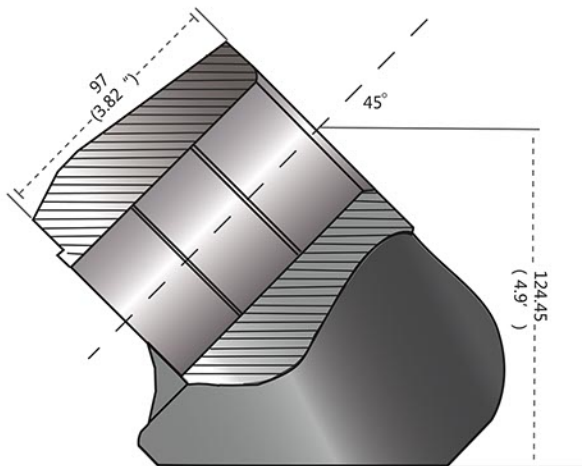
Welded to the cutterhead or roller, the block houses and protects the sleeve.



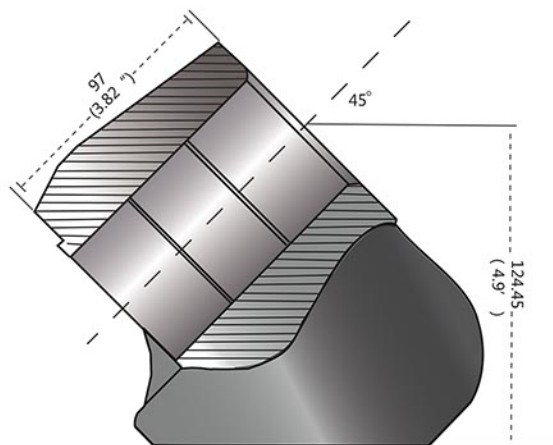
Block - SD



Block - SN01



Block - SN02

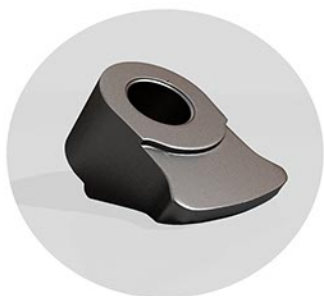


Block - SQ

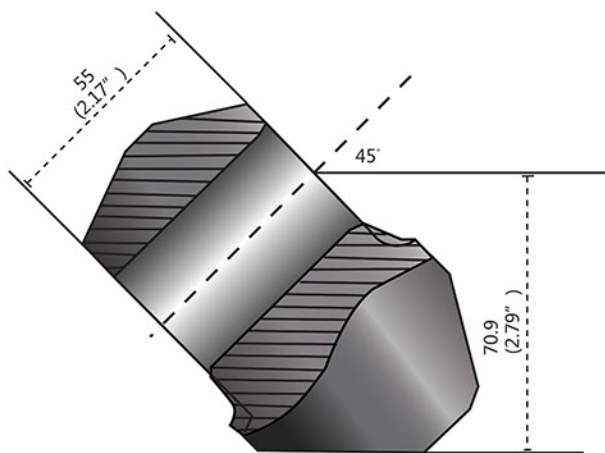




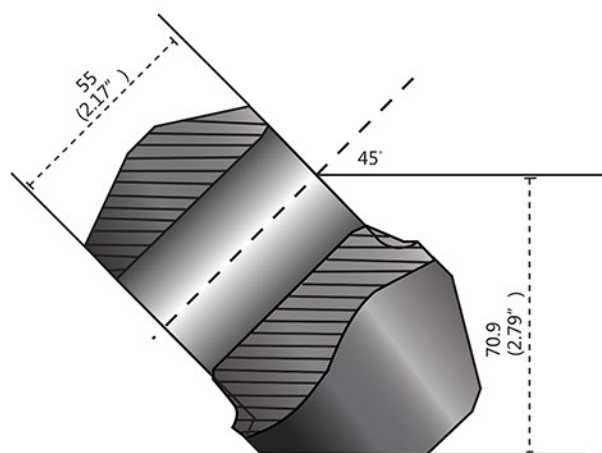
## LINDOMETAL



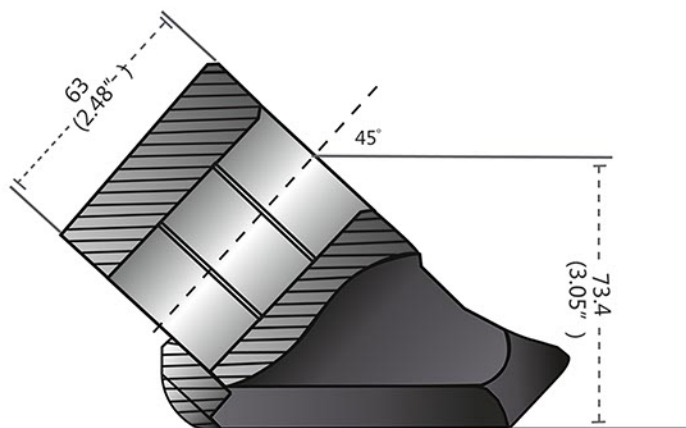
Welded to the cutterhead or roller, the block houses and protects the sleeve.



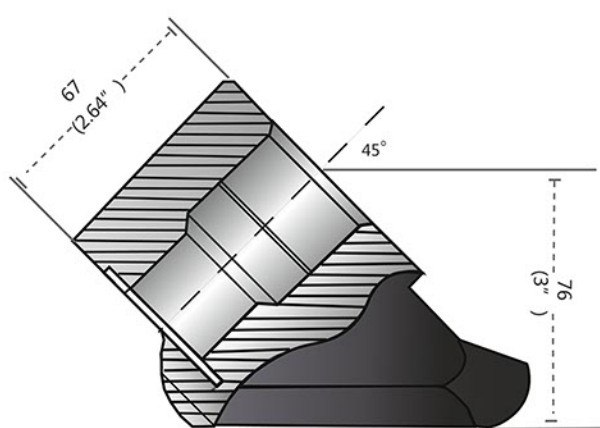
Block - RM



Block - RD



Block - RW



Block - RP





**LINDOMETAL**



All rights reserved  
Copyright 2013 Lindometal Inc.





**“We dig where others can’t.”**



**Lindometal LLC**

**Address:** PO Box 37967, Raleigh, NC 27627  
**E-mail:** [info@lindometal.com](mailto:info@lindometal.com)  
**Phone:** 1-855-900-2031  
**Fax:** 1-855-900-2001  
**Web:** [www.lindometal.com](http://www.lindometal.com)

